

2024



19 YEARS OF
UNMATCHED INDUSTRY EXPERTISE

abcom[®]

www.abcom.ae

MEET OUR TEAM

The key to our top-notch distribution is the brilliant team we have



PRADEEP KUMAR
GENERAL MANAGER



SAVIO DIAS
BRAND MANAGER



PRIYANK MEHTA
BRAND MANAGER



KAPIL DAND
BRAND MANAGER



DEEPTI G
BRAND MANAGER



SRIRAM SUNDARAM
BUSINESS UNIT
MANAGER



SRINIVASAN KASTHURI
BUSINESS DEVELOPMENT
MANAGER



MAQSOOD KADRI
SALES MANAGER



SURESH SIMEON
KEY ACCOUNT
MANAGER



TAHIR ABBASI
KEY ACCOUNT
MANAGER



SREEKALA MANOJ
KEY ACCOUNT
MANAGER



NIMMY CHACKO
KEY ACCOUNT
MANAGER



VINCENT FERNANDES
TECHNICAL MANAGER



LALITHA SREENIVAS
PRE-SALES



AZIZ LOKHANDWALA
TECHNICAL
SPECIALIST



SIDDHARTH SAI G
GROUP MARKETING
MANAGER



HUMAIRA JAMAL
MARKETING
COORDINATOR

ABOUT US

Abcom Distribution LLC are the importers and distributors of specialist audio visual products. Our head office and central warehouse is based at Dubai, JAFZA & DIP, with partners across all major cities in the Middle east and Africa. Our team is made up of AV professionals with more than 20 years' experience in the Audio Visual and IT industry. We are proud to be at the forefront of technology & are able to deliver complete solutions to the AV sales & installation market, which is supported by our in-house, internationally certified support team.

We sell brands such as Angekis, Avigilon Alta ,Class VR , Dahua, IAdea, Kramer, LG, Maxhub, Nureva, Octopus, Optoma, Sharp/Nec, Qstech, Sony, Videri and our own Anchor AV Accessories and Anchor PRO. Abcom's primary focus is customer service and support in providing the highest quality and value-added AV solutions to the MEA market.

KEY STRENGTHS



Working together



Nurturing long-term relationships



Vertical market focus



Market and web services



Personal approach



Award winning Distribution



Training & Events



100% trade only



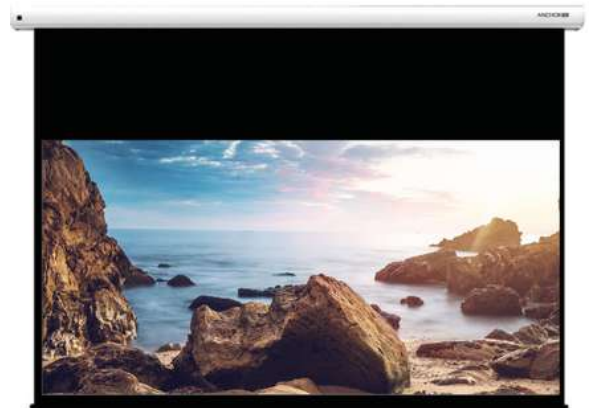
Credit/business services

PROFESSIONAL SCREEN



MOTORIZED SCREEN **ULTIMATE**

- L** Adjustable floating L brackets for ease of installation
- S** Special in roller design motor for quiet and smooth operation
- ≡** Black border around the screen
- M** Stylish and durable aluminum alloy outer case
- Ⓜ** Three button inline switch and IR/RF remote controls
- Ⓜ** Custom sizes available



ANLT100-PRO / ANLT150-PRO

PROJECTOR LIFT

MOTORIZED **PROJECTOR LIFT**

Overall Size (WxDxH):
730 x 730 x 318 mm

Overall Ceiling Closure:
806 x 806 mm

Control:
RF/RS232/485

Load Capacity (kg):
≤40

ANLT100D -PRO / ANLT200D-PRO

PROJECTOR LIFT

MOTORIZED **PROJECTOR LIFT**

Double armed structure
instead of commonly used scissors

Ultra-thin design
Only 224mm space required

Control:
RF/RS232/485

Load Capacity (kg):
≤40



ANTL60100S / ANTL60100A

TV TROLLEY

HEIGHT ADJUSTABLE DISPLAY CART



ANBRVW03-46T

VIDEO WALL BRACKETS



POP-OUT VIDEO WALL MOUNT

VESA
600x400 hole pattern

Kickstand
provides 12° of tilt for easy cable management

Allows unlimited display configurations
and innovative pop-out function

Load Capacity (kg):
70kg/154lbs

ANBRVW09-46T

VIDEOWALL BRACKET

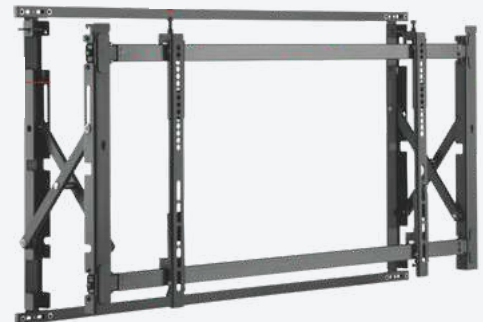
SUPER SLIM VIDEO WALL MOUNT

Screen Size
46"-52"

4x Times
strength tested

Profile to Wall
49~223mm/1.9~8.8"

Load Capacity (kg):
35kg/77lbs



ANTL1040T

TV TROLLEY

ANCHOR PRO MOBILE CART



Versatile & compact steel TV cart
fits most 37"- 55" TVs

Height adjustable
camera shelf

Cable management
keep everything organized

TV Weight Capacity
50kg

ANTL5086-PRO

TV TROLLEY

HEAVY-DUTY STUDIO TV CART



Premium & Heavy Duty TV Trolley
suitable for 55"- 86"

Gunmetal
Grey Finish

Space saving
easy to move

TV Weight Capacity
120kg



ANTLETW85-PRO

TV TROLLEY

MOTORISED PROFESSIONAL TV TROLLEY STAND

VESA Compatible
600x400

Cable management
keep everything organized

Screen Size
55" 85"

Weight Capacity
68.2 Kgs

ANBRWS2355-PRO

TV WALL MOUNT

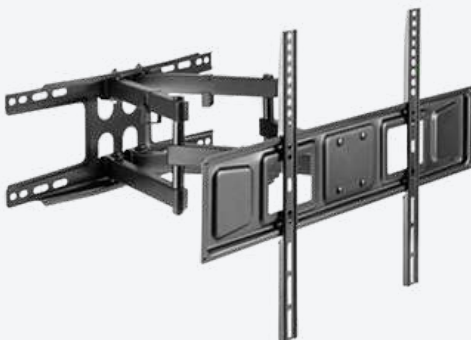
ECONOMICAL FULL-MOTION TV WALL MOUNT

Free-Tilting Design
suitable for 23"-55" flat-panel TVs

Cable management
keep everything organized

Weight Capacity
30kg/66lbs

+5°~-8° tilting
+90°~-90° swivelling



ANBRWS3270DS-Pro

TV WALL MOUNT

FULL-MOTION TV WALL MOUNT WITH DOUBLE STUD

Free-Tilting Design
suitable for 37"-80" flat-panel
TVs (upto 40Kgs)

+5°~-15° tilting, +60°~-60° swivelling
+3°~-3° levelling adjustment

Built-In
Level Adjustment

Cable management
keep everything organized

Clartalk Wireless ASP-04



- 2.4G Wireless Communication
- High Tech Audio
- Smart Design
- Personal Privacy

Clartalk Wired ASP-05



- Personal Privacy
- High Tech Audio
- Perfect Full Duplex Communication
- Elegance & Portability

Clartalk Anchor ASP-06



- Versatility with USB & Bluetooth
- Perfect Full Duplex Communication
- High Tech Audio

Clartalk HD ASP-10



- HD Voice Conference
- USB HID Reverse Control
- Perfect Full Duplex Communication
- High Tech Audio
- 3D Gesture Control
- Elegance and Portability

Clartalk DC 2 units ASP-04D-2



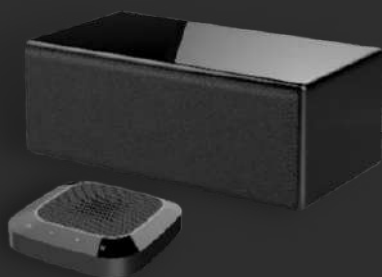
- 2.4G Wireless Communication
- High Tech Audio
- Plug and Play Versatility
- Perfect Full Duplex Communication

Clartalk HD DC ASP-10D-2



- High Definition Voice
- High Tech Audio
- Plug and Play Versatility
- 2.4G Wireless Communication

Clartalk Daisy Chain (4 units, Speaker included) - ASP-04D-4S



- 2.4G Wireless Communication
- High Tech Audio
- Plug and Play Versatility
- 4 wireless mics and active speaker
- 5 meters USB cable
- Perfect Full Duplex Communication

VIDEO CONFERENCE

Angekis®

COMPACT ONE - ACO-01

PTZ



- 4x zoom
- Superior output and control
- USB-B & Remote control
- Smooth Group Autoframing

Blade VS - U2-10FHD3

PTZ



- 10 X Optical & Digital Zoom option
- Full HD resolution at 30 fps via USB 2.0
- On screen NECC via Angekis app
- IR remote controller.

Saber 4K - 12UFHD36

PTZ



- 12x Zoom
- SDI video output at 60 fps
- HFOV 72.5. RS232 in & out
- LAN, SDI, USB 3.0, HDMI

(Saber Light) - U3-5FHD6

PTZ



- 5x zoom
- simultaneous USB3.0 at 60 fps
- HFOV 90. USB 3.0
- RS232 in & out

Saber Plus - U3D-12FHD6

PTZ



- 12x Zoom
- RS232 in & out
- LAN, SDI, USB 3.0
- HDMI, FOV 72.5

Blade 4K - U3-UFHD36-IP

PTZ



- 5X optical & 3X digital zoom
- Upto 4K resolution at 30fps
- ZoomRoom remote controller support
- RS232 128 presets from windows

Saber IP 20X NDI-20FHD60

NDI



- Saber IP 20x with NDI
- HX protocol

Saber 4K NDI - 12UFHD36

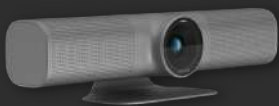
NDI



- Saber 4K with NDI
- HX protocol

One Touch - AOT-01

ALL IN ONE



- Soundbar 4K camera with 5x digital zoom
- 4 beamforming mic array and one 8W speaker
- Smooth Group Autoframing
- RF remote control. 120 degree HFOV.

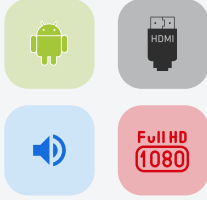
Torpedo - ATO-01

WEBCAM



- 4K webcam, 2x digital zoom, 1 built in mic
- USB Type-C port
- FOV 80° (Diagonal) 65° (Horizontal)
- Supports Angekis NECC

Standard series



DHI-LDH32-SAI200K

DHI-LDH43-SAI400K

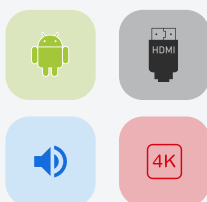
DHI-LDH50-SAI400K

DHI-LDH55-SAI400K



Screen Size	32"	43"	50"	55"
Processor	Quad-core Cortex-A17 up to 1.8GHz			
Operating system	Android 8.1			
Backlight	LED			
Brightness	250 cd/m ²	320 cd/m ²		
Display mode	Landscape/Portrait			
Lifespan	30000h			
Storage (RAM / Inbuilt)	2GB/16GB			

Kiosk – Touch & Non Touch



DHI-LDV43-SAI400K

DHI-LDV55-SAI400K

DHI-LDV65-SAI400K

DHI-LDV55 Interactive-SAI400TK



Screen Size	43"	55"	65"	55"
Processor	Quad-core Cortex-A17 up to 1.8GHz			
Operating system	Android 8.1			
Backlight	LED			
Brightness	250 cd/m ²	320 cd/m ²		
Display mode	Portrait			
Lifespan	30000h			
Storage (RAM / Inbuilt)	2GB/16GB			
Touch	✗			✓

Videowall



LS550UCM-BF (Basic series)

LS550UEM-EG (Essential Series)

LS550UCM-EF

LS460UCM-EF



Diagonal Screen Size	55" (16:9)			46" (16:9)
LCD Technology	ADS	IPS	ADS	
Resolution	1920x1080			
Backlight	Direct LED			
Bezel width	2.3mm (U/L) 1.2mm (R/B)	0.44mm (U/L), 0.44mm (R/B)	2.3mm (U/L) 1.2mm (R/B)	2.3mm (U/L) 1.2mm (R/B)
Pixel density	48dpi	40dpi		48dpi
Luminance	500cd/m ²			
Color Temperature	10,000K			

Interactive Panels

HiBoard Series
(New Generation of Intelligent Conference Tablet—Elite Edition)



IE65

IE75

IE86



Diagonal Screen Size	65" (16:09)	75-inch (16:09)	86" (16:09)
Backlight type	DLED		
Resolution	3840 (H) × 2160 (V)		
Touch - Material	Anti-glare tempered glass with surface hardness up to 7 on Mohs scale		
Touch Technology	IR	320 cd/m ²	
Touch Point	20		
Writing tool	Finger + smart pencil		
Operating system	Android 8.0		
Configuration	Quad-core, RAM: 4GB, ROM: 32GB		
Audio	Audio input*1, audio output*1		

MEDIA PLAYER

XMP-7500

High-Performance Kiosk Processor & 4K Media Player

- Enterprise-grade housing ensures device durability
- Supports touch for interactive wayfinding
- Operate in temperatures from -20 to 50°
- Round-the-clock device monitoring
- Customizable immersive experience by integrating sensors and modules
- Manage H.264/H.265 AV content with ease



SIGNAGE PLAYER

XDS-1078

Advanced 10.1" Interactive Room Panel

- Secured with Google's Android 9
- Minimalist Installation
- High Visibility Status Lights
- Zero-Gap Versatile Mounting

SIGNAGE PLAYER

XDS-1078-A7

Advanced 10.1" Interactive Room Panel

- Secured with Google's Android 9
- Minimalist Installation
- High Visibility Status Lights
- Zero-Gap Versatile Mounting



SIGNAGE PLAYER

XDS-1078-A9

Advanced 10.1" Interactive Room Panel

- Secured with Google's Android 9
- Minimalist Installation
- High Visibility Status Lights
- Zero-Gap Versatile Mounting

SIGNAGE PLAYER

XDS-1588

15" Interactive room panel with status lights



Touch-Enabled



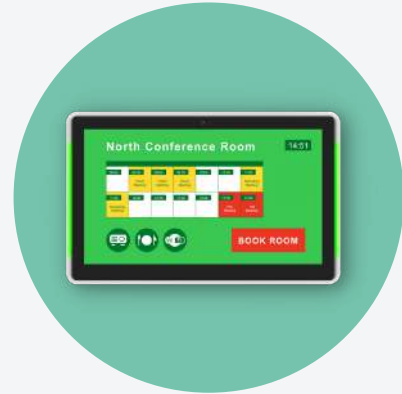
LED Light Bar



ID Authentication



HID Optional



SIGNAGE PLAYER

XDS-2285

22" Non-touch All-in-one display



Powerful CPU Computing



Wide View Angle



Tempered Glass



Responsive Design

SIGNAGE PLAYER

XDS-2288

22" Interactive Smart Kiosk



Interactive



Wide View Angle



Tempered Glass



Powerful CPU Computing



SIGNAGE PLAYER

WRP-1000-L

Enterprise Room Booking Panel



Premier Room Panel Design



Physical Access Control



Clean Device Installation



Clean Device Installation



Badge & Mobile Authentication



Enterprise Security Solution

PRESENTATION SYSTEMS

Video presentation matrices and switchers for multiple signals with range extension, video processing/scaling, control, and advanced audio capabilities.

- Presentation Switchers
- Presentation Matrices
- Live Event Presentation Systems
- All-in-One Presentation Systems



SWITCHERS & MATRICES

Multi-format switchers and matrices for simple switching of multiple audio, video, and control sources to single (switcher) or multiple (matrix) destinations

- HDMI Switchers / Matrices
- HDBaseT Switchers / Matrices
- Modular Matrices
- DisplayPort & DVI Switchers
- DVI Matrices
- SDI Switchers / Matrices
- SDI Switchers / Matrices

EXTENDERS

Comprehensive line of innovative range extension solutions for sending various signal types over long distances using twisted pair, fiber, or coax cables

- HDMI Extenders
- USB-C Extender
- DisplayPort & DVI Extenders
- SDI Extenders
- VGA Extenders
- Wireless Extenders
- Repeaters
- USB, RS-232 & IR Extenders
- CV, YUV/RGB & Y/C Extenders



DISTRIBUTION AMPLIFIERS

High-performance distribution amplifiers (DAs) for sending digital or analog computer, video, audio, and data signals to multiple devices

- **HDMI Distribution Amplifiers**
- **HDMI / VGA Extender Distribution Amplifiers**
- **HDBaseT & CATx Input Extender Distribution Amplifier**
- **DisplayPort & DVI Distribution Amplifiers**
- **SDI / VGA Distribution Amplifiers**
- **Content Overlay Distribution Amplifiers**
- **CV, YUV/RGB & Y/C Distribution Amplifiers**
- **Audio Distribution Amplifiers**



SCALERS & CONVERTERS

Down convert VGA, HD-SDI, HDMI, and DVI computer video signals to a composite video signal Industry-leading multi-resolution and multi-format signal conversion and scaling products for Pro AV systems.

Scalers

- **Video Converters**
- **Audio Converters & Extractors**
- **Control Gateways**
- **SDI Switchers / Matrices**

AUDIO

Industry-leading audio products including amplifiers, speakers, wall-to-wall solutions, and professional-grade cables

- **Power Amplifiers**
- **Speakers**
- **Audio DSP**
- **Audio over IP**
- **Audio Mixers & Processors**
- **Audio Switchers & Matrices**
- **Audio Distribution Amplifier**
- **Audio Converters & Extractors**
- **Audio Transformers & Isolators**
- **Audio Accessories**



AV OVER IP

Innovative and award-winning solutions for capturing, managing and distributing audio and video signals over an IP network

- AV Streamers
- Audio over IP
- Network Switches
- Management Software



WIRELESS PRESENTATION

VIA family of wired and wireless presentation and True-Collaboration™ solutions

- VIA : VIA Go2, VIA Connect2 , VIA Campus2 Plus
- Management Software
- VIA Accessories

CONTROL & MANAGEMENT

Simple and comprehensive user control of room AV and automation systems with site and enterprise AV management

- Control Software
- Management Software
- Control Processors
- Control Keypads
- Control Gateways
- Control Touch Panels
- Sierra Video Control
- Control Accessories



MULTI-VIEWERS & VIDEOWALLS

Versatile video processors for displaying multiple video sources on single (multi-view) and/or multiple displays (video wall)

- Multi-Viewers
- Video Wall Processors

CABLES & CONNECTORS

Elegant and creative solutions for convenient signal routing in architecturally esthetic applications

- **Standard Bulk Cables**
- **Plenum Bulk Cables**
- **Low Smoke Bulk Cables**
- **Cable Tools, Adapters & Connectors**
- **Standard Cable Assemblies**
- **Plenum Cable Assemblies**
- **Low Smoke Cable Assemblies**



ROOM CONNECTIVITY

Elegant and creative solutions for convenient signal routing in architecturally aesthetic applications

- **Table Boxes**
- **Wall Plates**
- **I/O Connector Inserts**

COLLABORATION DEVICES

Solutions for superb hybrid interaction experiences

- **K-Speak**
 - Omnidirectional, compact speakerphone for crystal-clear sound
- **K-Bar**
 - Compact, all-in-one video and audio communication bar
- **K-180Mini**
 - Smart panoramic camera that keeps everyone in view
- **K-CamHD**
 - Professional HD camera for versatile video capture
- **K-Cam4K**
 - Ultra-HD camera for premium-clarity video in large spaces





MODEL NO.: BU60PST

LG ProBeam

- **4K UHD** (3840 x 2160) Resolution
- **Wireless** Screen share
- Lamp Life (Eco Mode)-up to **20,000hrs**
- **6,000 ANSI Lumens** Brightness
- **3,000,000:1** Contrast Ratio
- Bluetooth **WIFI+BROWSER**
- True **Laser Technology**
- **4** corner keystone
- Upto **300"** Screen



MODEL NO.: BU53PST

LG ProBeam

NEW PRODUCT

- **SEMI SHORT THROW 4K UHD** (3840 x 2160) Resolution
- **Wireless** Screen share
- Lamp Life (Eco Mode)-up to **20,000hrs**
- **5,000 ANSI Lumens** Brightness
- **3,000,000:1** Contrast Ratio
- Bluetooth **WIFI+BROWSER**
- True **Laser Technology**
- **4** corner keystone
- Upto **300"** Screen



MODEL NO.: BU50NST

LG ProBeam

NEW PRODUCT

- **4K UHD** (3840 x 2160) Resolution
- **Wireless** Screen share
- Lamp Life (Eco Mode)-up to **20,000hrs**
- **5,000 ANSI Lumens** Brightness
- **3,000,000:1** Contrast Ratio
- Bluetooth **WIFI+BROWSER**
- True **Laser Technology**
- **4** corner keystone
- Upto **300"** Screen



MODEL NO.: HU915QE

LG CineBeam

NEW PRODUCT

- **ULTRA SHORT THROW 4K UHD** (3840 x 2160) Resolution
- **Wireless** Screen share
- Lamp Life (Eco Mode)-up to **20,000hrs**
- **3,700 ANSI Lumens** Brightness
- **3,000,000:1** Contrast Ratio
- **Bluetooth**
- True **Laser Technology**
- **4** corner keystone



MODEL NO.: HU715QW

LG CineBeam

NEW PRODUCT

- **ULTRA SHORT THROW 4K UHD** (3840 x 2160) Resolution
- **Wireless** Screen share
- Lamp Life (Eco Mode)-up to **20,000hrs**
- **2,500 ANSI Lumens** Brightness
- **3,000,000:1** Contrast Ratio
- **Bluetooth**
- True **Laser Technology**
- **4** corner keystone



MODEL NO.: HU710PW

LG CineBeam

NEW PRODUCT

- **4K UHD** (3840 x 2160) Resolution
- **Wireless** Screen share
- **Bluetooth**
- **2,000 ANSI Lumens** Brightness
- **3,000,000:1** Contrast Ratio
- True **Laser Technology**
- **4** corner keystone



UHD Large Screen Signage Display 110"

MODEL NO.: 110UM5J



Slim Design



Built in Speaker



Super High Resolution



Support HDMI CEC Command



LG LED All-in-One Smart Series 136"

MODEL NO.: LAEC015



Wireless Screen Sharing



Simple Power Connection



Built in Speaker



Easy Installation & Maintenance



55" Video Wall

- 0.88mm Even Bezel Video Wall

MODEL NO.: 55VM5J

1.88mm B-B

500 Nits



Clear View with Non-glare Panel



Uniform Color Expression



Image Gap Reduction



Smart Calibration



49" Video Wall

- Incredible Immersion with Ultra-Narrow Bezel

MODEL NO.: 49VL5G

3.55mm B-B

500 Nits



Wide Viewing angle



Image Gap Reduction



Easy Color Adjustment



User-Friendly Menu Structure



LG ONE: Quick Flex All-in-one Display - 43"

MODEL NO.: 43HT3WJ



Collaboration with Touch and Drawing



Screen Rotation & Adjustable Height



Beautiful sleek design



Built-in FHD 2k Camera & Microphone



A New Level of See-through View Transparent OLED 55"

MODEL NO.: 55EW5G-A



High Transparency



Accurate & Vivid Colors



Protective Tempered Glass



Expandable Design



Indoor 4K UHD Signage 43"

MODEL NO.: 43UH5F

0.88mm B-B

500 Nits



24x7 Operations



Auto Screen Rotation



500 nits Brightness



IP5x Certified Design



Outdoor XF Series 49"

MODEL NO.: 49XF3E

3.55mm B-B

500 Nits



3000 nits High Brightness



High Operating Temperature



Conformal Coating



Auto Brightness Sensor

DISPLAYS

MAXHUB



V6 CLASSIC

C5530

C6530

C7530

C8630

Display Size	55"	65"	75"	86"
Resolution	4K UHD - 3840 × 2160			
Response Time	8ms			
Backlight Unit	DLED			
Brightness	350cd/m ²			
Life Time	≥30,000 Hours			
Touch	20 Touch Point, Finger + Passive Infrared Pen			
Mic	8 x array microphones support 8m/180 degree voice collect range , AI powered smart noise cancellation			
Audio	2.1 sound, 2x10w+20w			
Camera	1 x 48MP			
Input / Output Ports	HDMI IN x1, USB 2.0 x1, USB 3.0 x 2, USB Type-C x 2, TOUCH 2.0 x 1, AUDIO OUT x 1, RS232 x1			



V6 TRANSCEND

T6530

T8630

CF98MA [CHINA EDITION]

Display Size	65"	86"	98"
Resolution	4K UHD - 3840 × 2160		
Response Time	8ms		6.5ms
Backlight Unit	ELED		DLED
Brightness	350cd/m ²		
Life Time	≥30,000 Hours		
Touch	PCAP Technology, Anti Glare Glass, 4096 Level Writing pressure		20 Touch Point, Infrared recognition, Finger + Passive Infrared Pen
Mic	8x array microphones support 8m/180 degree voice collect range , AI powered smart noise cancellation algorithm		
Audio	2x 10w Front speakerphone + 20w sub woofer, upper bezel type		
Camera	1x (48+8)MP Flip Over Dual lens built-in SMART optical PTZ camera		
Input / Output Ports	HDMI IN x1, USB 2.0 x1, USB Type-C x 2, TOUCH 2.0 x 1, AUDIO OUT x1, RS232 x1		

PODIUM

P22MB



21.5" Display



Capacitive+EMR touch screen



Electrically adjustable height



Wireless deployment



ANDROID MODULE

SA08/09



Android 9.0



4GB RAM, 32GB ROM



Smart Whiteboard



MAXHUB Conference OS 6.0 for Android



MAXHUB Share



PC MODULE

MT61A I5



10th Generation i5 -10400



DDR4 8G/128SSD Core HD Graphics



3 x USB 3.0 ports



2 x USB 1.0 ports



1 x HDMI out



1 x mic in



Windows 10 enterprise version



Smart Whiteboard

PC MODULE

MT61A I7



10th Generation i7 10700



DDR4 16G/256SSD Core HD Graphics



3 x USB3.0 ports



2 x USB 1.0 ports



1 x HDMI out



1 x mic in



Windows 10 enterprise version



Smart Whiteboard

MOBILE STAND

ST41 (NEW)



Maximum load
65KG



Available for
55"/65"/75"/85"



MOBILE STAND

ST23C (NEW)



Maximum load
65KG



Available for
75"/86"



WIRELESS DONGLE

WT01/02



Transmission
delay <120ms



Frame rate:
15fps-25fps



Windows7:
1920x1080@15fps
/1366x768@20fps



Windows8(8.1)/OSX192
0x1080@20fps/1366x7
68@25fps

ELECTRIC MOBILE STAND

EST11



Maximum load
100KG



Available for
55"/65"/75"



Maximum
rotate degree
90 degrees



Maximum
lift distance
530mm

COLLABORATION DEVICES

SHARP / NEC

Sharp NEC Display Solutions

NEC MULTISYNC® WD551

LCD 55" Windows Collaboration Display



SPECIFICATIONS

55" PCAP multi-touch ink-enabled UHD display

- 400 cd/m2 (typically)
- Optically bonded glass
- 2x active pen, supporting Windows Ink

Microsoft Teams certified camera, mic & speaker

- 4K camera, 113 degree horizontal FOV, 120 degree diagonal FOV
- 6 array microphone, distance 8m, 180 degree
- Front facing speakers (2x 12W), subwoofer (15W)

State of the art interfaces

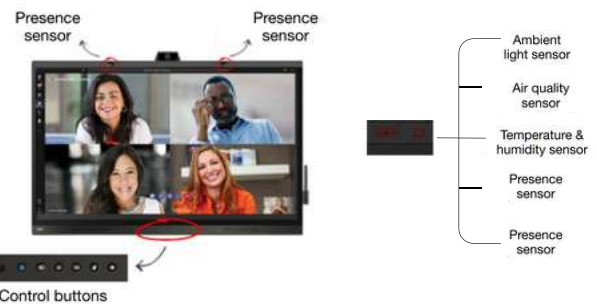
- 2x USB-C (65W power each)
- 1x HDMI, 1x USB Type-B
- Smart source switching

User friendly controls

- Physical front buttons for Windows, volume control, source select, mute microphones
- Touchable on screen display (OSD)

Built-in IoT sensors

- Presence sensor to automatically turn on the display
- Room sensors for occupancy, temperature, humidity, ambient light & air quality (VOC)



PA SERIES I INSTALLATION PROJECTORS

Model	Native Resolution	Brightness [Lumen]	Contrast	Projection Distance [m]	Technology
PA653U	WUXGA	6500	8000:1	0.7 - 50.9*	3LCD
PA703W	WXGA	7000	8000:1	0.7 - 50.9*	3LCD
PA803U	WUXGA	8000	10000:1	0.7 - 50.9*	3LCD
PA853W	WXGA	8500	10000:1	0.7 - 50.9*	3LCD
PA903X	XGA	9000	10000:1	0.7 - 50.9*	3LCD



- Motorised lenses meet structural requirements
- Impressive visualisation capabilities
- Excellent picture quality even in bright ambient light conditions



PA SERIES | PROFESSIONAL ADVANCED LASER PROJECTORS

Model	Native Resolution	Brightness [Lumen]	Contrast	Projection Distance [m]	Technology
Laser Phosphor					
PA703UL	WUXGA	7000	2.5 Mio:1	0.7 - 50.9*	3LCD
PA804UL	WUXGA	8200	3 Mio:1	0.7 - 50.9*	3LCD
PA1004UL	WUXGA	10000	3 Mio:1	0.7 - 50.9*	3LCD



- 20,000 hours maintenance free with filter-less design
- Cinema picture quality
- Free tilt and portrait installation capability
- Black and white models available

Sharp NEC Display Solutions

INDOOR FINE PITCH LED BUNDLES



E SERIES - LARGE IMAGE PRESENTATION, SMALL BUDGET PRESERVATION

Bringing all the advantages of fine-pitch LED to more costconscious applications in corporate meeting rooms and digital signage, the E series lacks nothing in high impact content delivery. The pre-bundled solution includes everything you need to implement large surface visualisation without hindrance from bezels, with superb brightness and high contrast which gets noticed even in areas of high ambient light. Designed for quick and easy set-up, the product is light weight and super slim for unobtrusive integration either free-standing or wall mounted. Front serviceable, all components are easily accessed for maintenance. As you would expect from a quality manufacturer, there is no compromise to reliability and safety in offering this costconscious solution. Supporting excellent thermal management, the aluminum chassis safeguards robust longevity.

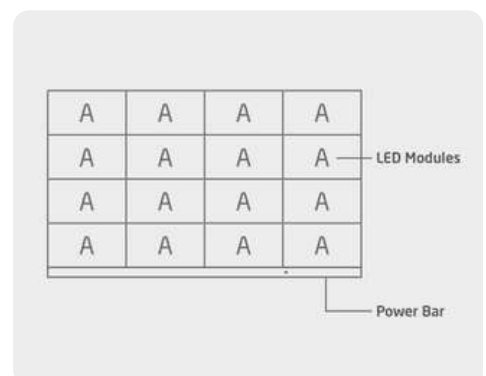
BENEFITS

- Ultra-slim design – at less than 3 cm in width and flush rear profile, the ultra slim LED modules can be integrated very close to the wall with minimal gap necessary due to low heat emission.
- Light in weight – the lightweight aluminum cabinet is easy to handle during installation with minimum labor cost
- Low-profile integration – the ultra slim cabinet design supports precision alignment to create a large digital canvas which integrates unobtrusively into any environment.
- Front serviceable modules – with front access to the LED modules, maintenance is hassle-free.
- Unhindered readability – no reflections from windows or other light sources means no disruption to the visibility of signage or meeting room content.

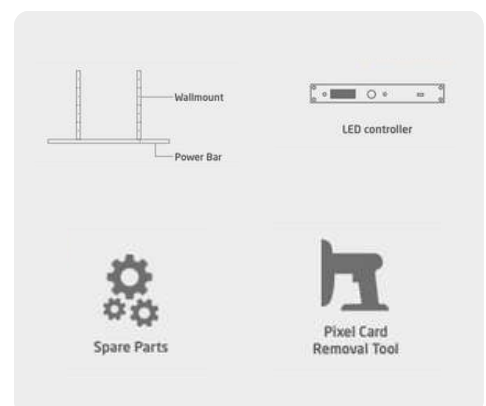
E SERIES BUNDLES | INDOOR FINEPITCH LED BUNDLES

	E012i-108	E015i-135	E018i-162
Order Code	81000231	81000232	81000233
Resolution	1920 × 1080	1920 × 1080	1920 × 1080
Module Configuration	4×4	5×5	6×6
Pixel Configuration	3-in-1 SMD (Black)	3-in-1 SMD (Black)	3-in-1 SMD (Black)
LED Type	SMD (1010)	SMD (1212)	SMD (1415)
Pixel Pitch [mm]	1,25	1,563	1,875
Brightness (max.) [cd/m ²]	600	600	800
Lifetime	100000	100000	100000
Contrast Ratio (typ.)	5000:1	4000:1	5000:1
Viewing Angle [°]	170 horizontal /160 vertical	140 horizontal /140 vertical	140 horizontal /140 vertical
Colour Processing	16 bit	16 bit	16 bit
LED Driving Method	1/45 dynamic scan	1/54 dynamic scan	1/60 dynamic scan
Refresh Rate [Hz]	3840	3840	3840
Colour Temperature [K]	3000-9500	3000-9500	3000-9500
Power Typical [W]	944	1000	1000
Dimensions (W x H x D) [mm]	2412 × 1456 × 50	3012 × 1793,5 × 50	3612 × 2131 × 50
Weight [kg]	91,2	136,5	196,2
Connectivity via Controller	3G SDI; DVI-D; HDMI; GenLock; LAN		
Serviceability	Front	Front	Front
IP Level (Front/Rear)	IP20	IP20	IP20
Certifications	CE, ETL, FCC Class A, RoHS		
Shipping Content	1x LED Controller 4x4x LED Modules, 1x Overframe Kit, 1x Power Bar, 1x Wall Mount, 1x Spare Parts Kit	1x LED Controller, 5x5x LED Modules, 1x Overframe Kit, 1x Power Bar, 1x Wall Mount, 1x Spare Parts Kit	1x LED Controller 6x6x LED Modules, 1x Overframe Kit, 1x Power Bar, 1x Wall Mount, 1x Spare Parts Kit

E-Series



Included Components



PROJECTORS



MODEL NO.: ZH406STX



FEATURES

- **SHORT THROW LASER**
4,200 Lumens
- **300,000:1** Contrast
- **30,000hrs** Lamp Life
- **1080p (1920 x 1080)**
FULL 3D

MODEL NO.: HD28I



FEATURES

- **4,000** Lumens
- **50,000:1** Contrast
- **10,000hrs** Lamp Life
- **1080p (1920 x 1080)**

MODEL NO.: UHD55



FEATURES

- **4K UHD (3840 x 2160)**
- **3,600** Lumens
- **1,200,000:1** Contrast
- **15,000hrs** Lamp Life

MODEL NO.: EH400



FEATURES

- **LASER 4,000** Lumens
- **22,000:1** Contrast
- **10,000hrs** Lamp Life
- **FHD (1920 x 1080)** with 4k compatibility

MODEL NO.: UHZ45



FEATURES

- **LASER 4K UHD (3840 x 2160)**
- **3,800** Lumens
- **2,000,000:1** Contrast
- **30,000hrs** Lamp Life
- **FULL 3D**

MODEL NO.: UHZ50



FEATURES

- **LASER 4K UHD (3840 x 2160)**
- **3,000** Lumens
- **2000,000:1** Contrast
- **FULL 3D**
- **30,000hrs** Lamp Life

MODEL NO.: UHZ65LV



FEATURES

- **LASER 4K UHD (3840 x 2160)**
- **30,000hrs** Lamp Life
- **2000,000:1** Contrast
- **5,000** Lumens

HOME CINEMA 4K PROJECTORS

VPL- XW5000ES

2022 NEW



4K HDR SXR

Z-Phosphor
LASER LIGHT SOURCE

X1
Ultimate
for projector

TRILUMINOS PRO

- ▶ 2000 lumens, Laser for bolder entertainment
- ▶ All-new native 4K SXR™ panel
- ▶ All-new Wide Dynamic Range Optics
- ▶ Flagship-level X1™ Ultimate for projector processor

VPL- XW7000ES

2022 NEW



4K HDR SXR

Z-Phosphor
LASER LIGHT SOURCE

X1
Ultimate
for projector

TRILUMINOS PRO

- ▶ 3200 lumens , Laser with ACF-Lens
- ▶ Vivid, ultra-real colours
- ▶ All-new native 4K SXR™ panel
- ▶ Flagship-level X1™ Ultimate for projector processor

PROFESSIONAL DISPLAY

FW-100BZ40J

4K



100" BRAVIA 4K Ultra HD HDR Professional Display

- ▶ XR COLOR
- ▶ XR CLARITY
- ▶ XR MOTION
- ▶ XR CONTRAST
- ▶ Apple AirPlay and Chromecast built-in
- ▶ Brightness 600 cd/m
- ▶ Direct LED
- ▶ Landscape / Portrait mode



AVA COMPACT DOME®

5MP cameras for any indoor location and demanding light conditions



AVA DOME®

Rugged 4K or 5MP cameras for indoor and outdoor locations



AVA 360®

Panoramic cameras with 12MP image resolution for full situational awareness



AVA BULLET™

Powerful 4K or 5MP cameras that capture scenes in exceptional detail



AVA QUAD™

The first cloud-native multisensor with up to 20MP image resolution




AVA FLEX™

Wireless, indoor camera that makes cloud videos security accessible to everyone

Thank You!

abcom[®]

CONTACT US

 +971 4 3706522

 info@abcom.ae

 www.abcom.ae

 ABCOM DISTRIBUTION LLC, M09-Makeen Al Khaleej Building, Opp Karama Park, Karama, Dubai

 kramer

 LG Business Solutions

 alhwa TECHNOLOGY

MAXHUB

SONY

 nuvera

 QSTECH

 videri

 CLASSVR

AVIGILON

 Idea

SHARP/NEC

 OCTOPUS

Angekis[®]

ANCHOR PRO

ANCHOR TV

 Optoma