

# CP-D10

INNOVATE  
The Future of Projection



## SHORT THROW LCD PROJECTOR

Project large, bright images in limited space with Hitachi's new range of short throw projectors. Perfect for small and medium meeting rooms, the CP-D10 can deliver an impressive 80" image from less than a metre away (from lens to screen). Expect no less from the experts in short throw projection.

### Performance

- XGA resolution
- 2000 ANSI Lumens
- 400:1 Contrast Ratio
- 80" image at 92.7cm†
- Quick On and Auto Off
- Low noise level - 28dB in Eco Mode
- Daytime Mode
- Blackboard and Whiteboard Modes
- AMX Device Discovery
- Anti Theft features:
  - PIN-Lock
  - MyScreen Password
  - Keypad Lock
  - Kensington slot
  - Transition Detector

### Cost of ownership

- Extended Hybrid Filter life with 4000 hour filter cleaning cycle
- Long lamp life - 4000 hours (Eco Mode)\*
- No additional filter cleaning costs
- Virtually maintenance free
- Easy set up and installation
- Power saving mode

### Environment

- The extended Hybrid Filter life means reduced electronic waste and reduced maintenance visits, resulting in an overall reduction in carbon footprint
- Paint-free casing
- Reduction of carton size so 88% more cartons can be transported with each load, further reducing carbon footprint††
- Recyclable carton boxes

*Hitachi have formulated an "Environmental Vision" to contribute towards building a sustainable society through business and product development.*

*Our goal is to develop life-enhancing technology that will contribute to and realise a truly sustainable society for current and future generations.*

†from lens to screen

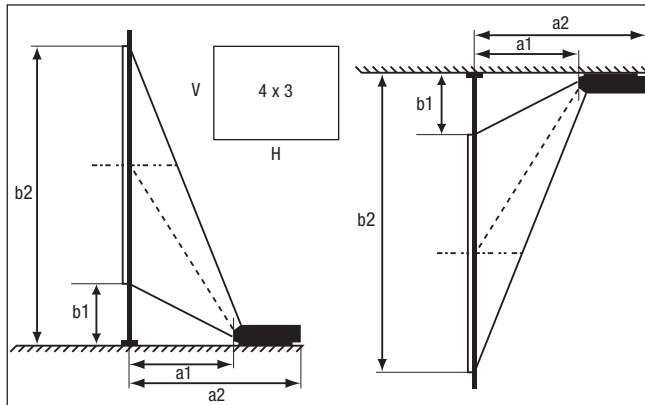
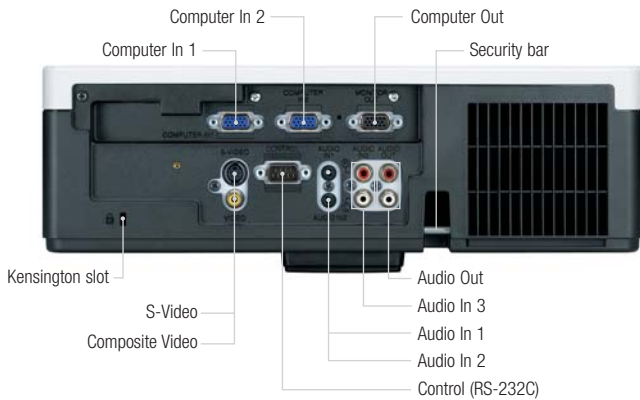
††compared to CP-A100



[www.hitachidigitalmedia.com](http://www.hitachidigitalmedia.com)

**HITACHI**  
Inspire the Next

# CP-D10 Technical specifications



Throw distance (from the top of the lens)

Screen size (diagonal)	H x V		a1 (m)	a2 (m)	b1 (m)	b2 (m)
	(m)	(m)				
60" (1.5m)	1.22	0.91	0.683	0.970	0.279	1.193
70" (1.8m)	1.42	1.07	0.805	1.092	0.314	1.381
80" (2.0m)	1.63	1.22	0.927	1.214	0.350	1.569
90" (2.3m)	1.83	1.37	1.049	1.336	0.385	1.757
100" (2.5m)	2.03	1.52	1.170	1.457	0.421	1.945

## OPTICAL

LCD Panel		0.55" P-Si TFT x 3
Resolution		XGA
Brightness	Normal Mode	2000 ANSI Lumens
	Eco Mode	1500 ANSI Lumens
Contrast ratio		400:1
Lens		Manual focus, digital zoom x 1.35
Lamp wattage		180W UHB
Lamp life		3000 hours (Normal Mode)/4000 hours (Eco Mode)*
Diagonal display size		60~100" (80"@93cm)
Number of colours		8 Bit/colour, 16.7M colours
Lens shift		Digital shift, Optical lens shift: 5: -1, fixed
Keystone correction		Fixed, 5.3:-1 upward shift
Distance to width ratio		0.57:1 (fixed)

## COMPATIBILITY

Computer compatibility	IBM Compatible VGA, SVGA, XGA, WXGA, SXGA, SXGA+, UXGA Compressed, MAC 16"
Video compatibility	NTSC/PAL/SECAM/PAL-M/PAL-N/NTSC4.43/PAL60 SDTV: 480i, 480p, 576i, 576p HDTV: 720p (@50/60Hz), 1080i (@50/60Hz), 1080p (@50/60Hz) DDC2B
Plug & Play	

## FEATURES

Speaker	1W Mono
Basic functions	Freeze, Magnifying, Blank, Auto adjustment, Search
Picture adjustments	Equalizing Gamma Correction, 2-3 pull down, Progressive Scan, Noise Reduction
Digital keystone	Manual V keystone
Advanced features	MyScreen, My Memory, My Button, My Text, My Source, Blackboard/Whiteboard mode, Daytime Mode, Input Source Naming (English), Resolution setting, Template, Closed Caption (for NTSC only), Audio Pass Through, AMX Device Discovery
Outward	Easy lamp replace from top, Air filter slides towards front side or top
Power on & off	Quick Power On (9 sec), Direct On, Auto Off
Security systems	Security bar, PIN-Lock, MyScreen Password, Keypad-Lock, Kensington slot, Transition detector, My Text, Security label
OSD languages	English, French, German, Spanish, Italian, Norwegian, Dutch, Japanese, Portuguese, Simplified Chinese, Traditional Chinese, Korean, Swedish, Russian, Finnish, Polish, Turkey, Arabian, Persian, Czech, Danish, Hungarian, Romanian, Slovenian, Croatian, Greek, Lithuanian, Estonian, Latvian, Thai, Portuguese (Brazil)

## CONNECTIONS

Computer input	2 x 15-pin Mini D-sub
Computer output	1 x 15-pin Mini D-sub
Video input	2 x Component D-sub (shared with analogue RGB) 1 x RCA for composite 1 x Mini-DIN for S-Video
Audio input	2 x Stereo Mini Jack
Audio output	1 x pair RCA (L/R) (Selectable on OSD)
Control	1 x pair RCA (L/R) 1 x 9-pin D-sub for RS232 control

## POWER

Power supply	100-120V/220-240V, auto switching
Power Consumption/Standby	250W/<1W

## PHYSICAL

Dimensions (W x H x D)	333 x 103 x 303mm (excluding feet and extrusions)
Weight	3.5kg
Noise level	28dB (Eco Mode)/36dB (Normal Mode)
Air filter	Hybrid

## MISCELLANEOUS

Lamp indicator light, Power light, Ceiling mount image, Rear projection image, Serial number label on side

## CERTIFICATION

UL60950/C-UL, FCC Part 15 Class B, CE, AS/NZS CISPR22 Class B

## ACCESSORIES SUPPLIED

Remote control with batteries, Computer cable, Power cord, Lens cap, Security label, User manual (detail & concise)

## OPTIONAL ACCESSORIES

Replacement lamp	DT01091
Laser pointer remote control	HL02483

## WARRANTY

Projector warranty	3 Years
Lamp warranty	6 Months

