

CP-AW250NM

Preliminary Specifications

ULTIMATE

究極 SHORT THROW



ULTIMATE SHORT THROW WXGA LCD PROJECTOR

The perfect balance of technology and design. The light weight and compact CP-AW250NM Ultimate Short Throw projector offers the highest quality images with a compelling design and low cost of ownership. This network model ensures easy management while the new bundled wall mount makes installation quick and easy.

Performance

- WXGA resolution (1280 x 800)
- 80" (2m) image from only 53cm*
- 2500 ANSI Lumens (Normal mode)
- Full connectivity including HDMI
- Perfect Fit – adjust all four corners and sides of the image individually to achieve a square image
- Input Source Naming
- My Button
- 10W speaker
- Anti Theft features including:
 - PIN-Lock
 - MyScreen Lock
 - Transition Detector
 - Security bar

Cost of ownership

- Extended Hybrid Filter life – 4000 hour cleaning cycle
- Extended lamp life – 4000 hours in Eco Mode
- Virtually maintenance free
- Easy setup and installation
- Wall mount included in the box

Advanced Network Features

- Full connectivity including 1 x RJ-45
- Configure and control projector via network with a web browser
- Projector management via SNMP
- Content via LAN
- AMX Device Discovery
- Messenger
- PJ Link™
- Network Bridge

Environment



- The extended Hybrid Filter life means reduced electronic waste and reduced maintenance visits, resulting in an overall reduction in carbon footprint

Hitachi have formulated an "Environmental Vision" to contribute towards building a sustainable society through business and product development.

Our goal is to develop life-enhancing technology that will contribute to and realise a truly sustainable society for current and future generations.

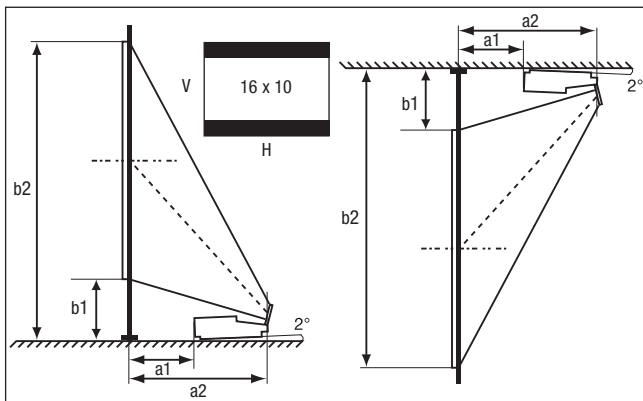
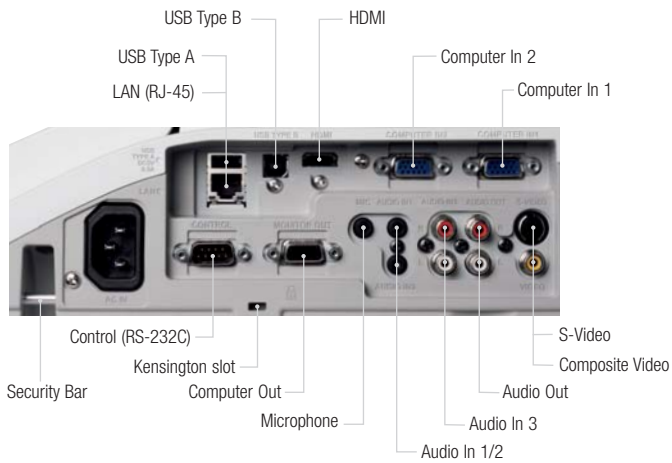
*from centre of mirror to screen



www.hitachidigitalmedia.com

HITACHI
Inspire the Next

CP-AW250NM Technical specifications



Throw distance (from the top of the lens)

Screen size (diagonal)	H x V		a1	a2	b1	b2
	(m)	(m)				
60" (1.5m)	1.3	0.8	0.120	0.396	0.295	1.102
70" (1.8m)	1.5	0.9	0.188	0.464	0.332	1.274
80" (2.0m)	1.7	1.1	0.256	0.532	0.369	1.446
90" (2.3m)	1.9	1.2	0.324	0.601	0.407	1.618
100" (2.5m)	2.2	1.3	0.392	0.669	0.444	1.791

OPTICAL

LCD Panel	0.59" (1.5cm) P-Si TFT x3
Resolution	WXGA (1280 x 800)
Brightness	Normal Mode Eco Mode
Contrast Ratio	2500 ANSI Lumens 2000 ANSI Lumens (TBD)
Lens	2000:1
Lamp Wattage	Free shaped lens and motorised free shaped mirror
Lamp Life	TBD
Distance to Width Ratio (:1)	TBD Hours (Normal Mode)/ 4000 Hours (Eco Mode)*
Diagonal Display Size	0.3:1 (fixed)
Number of Colour	60~100" (152~254cm)
Keystone	8 Bit/colour, 16.7M colours
	Fixed, 5.2:-1 upward shift

COMPATIBILITY

Computer Compatibility	IBM Compatible VGA, SVGA, XGA, WXGA, WXGA+, SXGA, WSXGA+, UXGA, MAC 16"
Video Compatibility	NTSC/PAL/SECAM/PAL-M/PAL-N/NTSC4.43 SDTV: 525i(480i), 525p(480p), 625i(576i) HDTV: 750p (720p@60Hz), 1125i(1080i@50/60Hz), 1125p(1080p@50/60Hz) DDC2B
Plug & Play	

FEATURES

Speakers	10W Mono
Basic functions	Freeze, Magnifying, Blank, Auto adjustment, Search Equalizing Gamma Correction, 2-3 pull down, Progressive Scan, Noise Reduction, Perfect Fit
Picture adjustments	Manual Vertical Keystone correction, Manual Horizontal Keystone correction
Digital keystone	My Screen, My Memory, My Button, blackboard/whiteboard mode, Daytime mode, input source naming (English), resolution setting, Template, Saving mode, AudioPass through, My Text
Advanced features	Easy Lamp replace from Top, Rear intake air filter
Outward	Quick ON, Direct ON, Direct Off
Power on & off	PIN Lock, Myscreen PIN lock, Keypad Lock, Kensington slot, Transition Detector, Security bar
Network	Configure and control projector via web browser, receive alerts via e-mail, projector management via SNMP, Scheduling, My Image, displaying text data transferred via the network, Command Control via network, AMX Device Discovery, Messenger, PJ Link™, Network Bridge, content via LAN
OSD Languages	English, French, German, Spanish, Italian, Norwegian, Dutch, Japanese, Portuguese, Simplified Chinese, Traditional Chinese, Korean, Swedish, Russian, Finnish, Polish, Turkish, Arabian, Persian, Czech, Danish, Hungarian, Romanian, Slovenian, Croatian, Greek, Lithuanian, Estonian, Latvian, Thai, Portuguese (Brazil)

CONNECTIONS

Digital Input	1 x HDMI
Computer Input	2 x 15-pin Mini D-sub
Computer Output	1 x 15-pin Mini D-sub
Video Input	1 x RCA Jack (for composite) 1 x S-Video Jack 1 x Component D-sub (shared with analogue RGB)
Audio Input	2 x Stereo Mini Jack 1 x pair RCA (L/R) 1 x Microphone Jack
Audio Output	1 x pair RCA (L/R)
Control	1 x 9-pin D-sub for RS232 control
USB	1 x USB type A for PC-less presentation 1 x USB type B for mouse control 1 x RJ-45
Wired network	

POWER

Power Supply	AC100-120V/220-240V, auto switching
Power Consumption	TBD
Power Consumption in Eco /Standby	<0.3W

PHYSICAL

Dimensions (W x H x D)	345 x 85 x 303mm (excluding feet and extrusions when mirror is closed)
Weight	3.8Kg
Noise Level	34dB (Normal)/28dB (Eco)
Air Filter	Hybrid

MISCELLANEOUS

Lamp indicator light, Power light, Ceiling mount image, Rear projection image, Serial number label on side

CERTIFICATION

*UL60950-1/C-UL, FCC Part 15 Class A, *CE, AS/NZS CISPR22 Class A

ACCESSORIES SUPPLIED

Remote control with batteries, RGB cable, power cord, cable cover, security label, user manual (detail & concise), Wall mount (HAS-K250)

OPTIONAL ACCESSORIES

Replacement lamp	DT01181
Laser pointer remote control	RC-R008

WARRANTY

Projector warranty	3 Years
Lamp warranty	6 Months**



HITACHI DIGITAL MEDIA, Hitachi Europe Ltd, Whitebrook Park, Lower Cookham Road, Maidenhead, Berkshire SL6 8YA UNITED KINGDOM
Tel: +44 (0)1628 585 000 Fax: +44 (0)1628 585 500 www.hitachidigitalmedia.com

*The stated lamp life refers to the average life expected in ideal operating conditions with usage in accordance with the manual. The majority of, but not all lamps should achieve this figure. **A free replacement lamp will be issued if the original lamp fails within 6 months from the date of purchase. The "HD ready" Logo is a trademark of EICTA. HDMI, the HDMI logo and High-Definition Multimedia Interface are trademarks or registered trademarks of HDMI Licensing LLC. The specification above and photography is for reference only and may be subject to change.

