

Highlights

- Short Throw
- Ideal for Home Entertainment
- Dual 3D Mode
- Easy setup
- Easy Maintenance

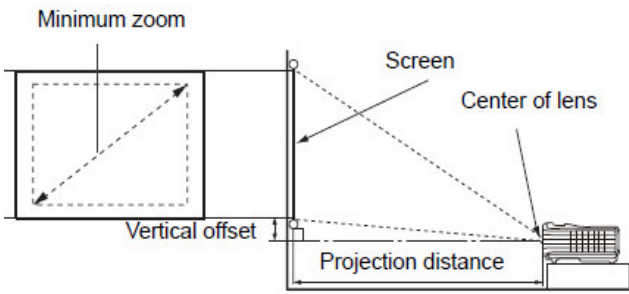


Projection System	DLP		
Native Resolution	720p(1280x720)		
Brightness	2500 ANSI lumens		
Contrast Ratio	10000:1		
Display Color	1.07 Billion Colors		
Lens	F=2.77~2.86, f=10.16~11.16mm		
Aspect Ratio	Native 16:9 (5 aspect ratio selectable)		
Throw Ratio	0.719-0.79 (63"@ 1m)		
Image Size (Diagonal)	35" to 300"		
Zoom Ratio	1.10:1		
Lamp Type	220W		
Lamp (Normal/Economic Mode)*	4000/6000 hours		
Keystone Adjustment	1D, Vertical +/- 40 degrees		
Projection Offset	136%+-5%		
Resolution Support	VGA(640 x 480) to UXGA(1600 x 1200)		
Horizontal Frequency	31K~90KHz		
Vertical Scan Rate	48~120Hz		
Compatibility	HDTV Compatibility	480i, 480p, 576i, 576p, 720p, 1080i, 1080p	
	Video Compatibility	NTSC, PAL, SECAM	
	3D Compatibility	PC: 120Hz Frame Sequential 3D for resolutions up to WXGA, PC: 60Hz Top-bottom 3D for resolutions up to SXGA+, PC: 60Hz Frame Sequential 3D resolutions up to WXGA,	
Interface	Computer in (D-sub 15pin)	x 1	
	Composite Video in (RCA)	x 1	
	S-Video in (Mini DIN 4pin)	x 1	
	Component Video in	x 1 (RCA x 3)	
	Audio in (Mini Jack)	x 1	
	Audio L/R in (RCA)	x 2	
	Audio out (Mini Jack)	x 1	
	Speaker	10W x 1	
	HDMI V1.3	x 2	
	USB (Type Mini B)	x 1 (USB Download & Page up/down)	
	RS232 (DB-9pin)	x 1	
Dimensions	Dimensions(W x H x D)	330 x 119.5 x 247 mm	
	Weight	3.6 kg (7.9lbs)	
Power	Power Supply	100 to 240 VAC, 50 to 60 Hz	
	Power Consumption	300W, Standby<1W	
Audible Noise	31/28 dBA (Normal/Economic mode)		
On-Screen Display Languages	Bulgarian/ Croatian/ Czech/ Danish/ Dutch/ English/ Finnish/ French/ German/ Greek/ Hungarian/Italian/ Indonesian/ Japanese/ Korean/ Norwegian/ Polish/ Portuguese/ Romanian/ Russian/ Simplified Chinese/Spanish/ Swedish/ Turkish/ Thai/ Traditional Chinese (26 Languages)		
Picture Modes	Bright/Living Room/Gaming/Cinema/User 1/User 2		
Accessories	Standard	Optional	
	Remote Control w/ Battery	Spare Lamp Kit	P/N: 5JJ5105.001
	Power Cord (by region)	Ceiling Mount	P/N: 5JJ2K01.001
	User Manual CD	3D Glasses	P/N: 5JJ0T14.011
	Quick Start Guide		
	Warranty Card (by region)		
	VGA(D-sub 15pin) Cable		
	Carry Bag		

*Lamp life results will vary depending on environmental conditions and usage. Actual product's features and specifications are subject to change without notice.

W710ST Digital Projector

Distance Chart

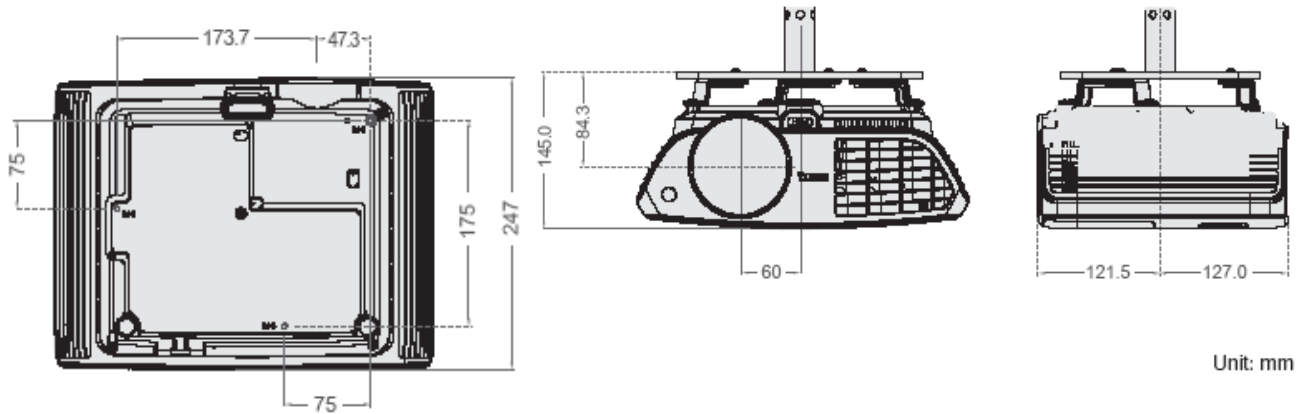


16:9 screen				Recommended projection distance from screen in mm			Vertical offset in mm
diagonal		Width	Height	Min length (with max. zoom)	Average	Max length (with min. zoom)	
Inches	mm	mm	mm				
34.30	871	759	427	-	-	600	77
40	1016	886	498	637	668	700	90
50	1270	1107	623	796	835	874	112
60	1524	1328	747	955	1002	1049	134
80	2032	1771	996	1273	1336	1399	179
100	2540	2214	1245	1592	1670	1749	224
120	3048	2657	1494	1910	2004	2099	269
150	3810	3321	1868	2388	2505	2623	336
188.5	4788	4173	2347	3000	-	-	423

Wall mount Chart

Ceiling mount screws:

M4 x L8 (Max. L = 12 mm, Min. L = 8 mm)



Unit: mm

Dimension



BenQ